

**CASE II**  
AGRICULTURE  
FOR THOSE WHO DEMAND MORE

# ROUND BALER

RB 455 - 465





# PERFECTLY FORMED BALES

Time after time



Preserve grass quality fast and remove straw quickly from the field with consistent high-density bales from reliable, robust, productive Case IH variable chamber balers.

#### **HIGH CAPACITY IN ALL CROPS – FROM STRAW TO SILAGE**

New 4/5 bar 2.05/2.35m pick-ups combine with a W-configuration rotor in both Feeder and Rotor Cutter versions for consistent, no-loss intake, providing up to 25% more capacity. The Overshot feeder completes the variable chamber range.

#### **HIGH DENSITY, HIGH QUALITY**

Durable endless belts and the unique 1.3m wide Edge Wrap duckbill netwrap system produce perfectly-shaped, uniform-density, clean-edged bales.

#### **SIMPLICITY MEANS MORE TIME IN THE FIELD**

Daily maintenance points are easily accessed from the ground via one-piece gas strut-supported panels, giving you more time in the field.

## MONITOR

Performance at your fingertips: intuitive control of the baler with a black/white control terminal or with advanced ISOBUS III compatible colour monitors suited to all types of tractors and customer requirements.

# CAPACITY AND DENSITY

Part of the same package

## RB VARIABLE ROUND BALERS – MULTI-CROP TECHNOLOGY.

We integrated a multitude of features into the new RB design so that every model is capable of following the largest combine or baling the heaviest crop with remarkable speed and efficiency. The bale size can be altered and monitored from the comfort of the tractor seat and the wrapping system is ultra-reliable – so there's no need to worry about the crop type or conditions – simply follow the swath.

## NEW BELTS

Minimum crop losses: the endless belts keep a strong grip on the bales and with four belts losses of valuable crop are cut to a minimum.

MODELS	Bale dimensions width x max. diameter (cm)	Minimum PTO Power (kW/hp)	Pick-up with (m)	No. of rotor knives	Drop floor
RB 455 Overshot	120x150	45 / 60	2.05	–	–
RB 455 Feeder	120x150	63 / 85	2.05 or 2.35	–	○
RB 455 Rotor / Cutter	120x150	75 / 100	2.05 or 2.35	15	○
RB 465 Overshot	120x180	52 / 70	2.05	–	–
RB 465 Feeder	120x180	67 / 90	2.05 or 2.35	–	○
RB 465 Rotor / Cutter	120x180	78 / 105	2.05 or 2.35	15	○





#### **ROTOR CUTTER & DROP FLOOR OPTION**

Work in comfort: choose from rotor feeder and rotor cutter versions. In the latter the 15 knives, protected from stones, can easily be replaced without using tools. The drop floor allows quick clearing of any blockage without leaving the tractor seat.

#### **DUAL DENSITY OPTION**

High efficiency, high quality: the dual density option enables you to add extra weight to the bale, making this an industry-leading high density baler. Fewer, heavier bales require less transport and storage, and promise higher silage quality.

#### **HIGH SPEED PICKUP**

Clean pick up of all crop types: choose from the standard 4-bar or heavy duty 5-bar pickup with heavy duty tines. The new double auger option with integrated feeding roll allows high capacity baling in large windrows.





# THREE PICK-UPS SOLUTION

one suitable for every condition

**1** Overshot standard pickup width 2.05m

**2** Feeder available in 2.05m or 2.35m pickup width

**3** Rotor Cutter available in 2.05m and 2.35m pickup width

You can count on the RB variable chamber balers to work at high speed with great precision, leaving no trace of crop in the field, delivering high productivity in all conditions and all crops.

## HIGH PERFORMANCE

The standard 4-bar pick-up features strengthened coiled tines that make short work of heavy windrows. The pick-up feeds the rotor feeder or cutter through an enlarged opening so that it can easily handle heavy crops.

## HIGH PERFORMANCE PICK-UP

If you want even more capacity you can opt for the high speed 5 bar pick-up, featuring a new heavy-duty rubber mounted steel tine designed to feed at high working speeds. The high capacity dual side augers feed the crop to the

rotor or cutter assembly assisted by a top feeder roller for even greater capacity.

## NO-STOP DROP FLOOR

A hydraulically controlled drop floor is available on all models, and is standard on rotor cutter variants. The drop floor is controlled from the operator's seat via the control monitor.

## ROTOR CUTTER

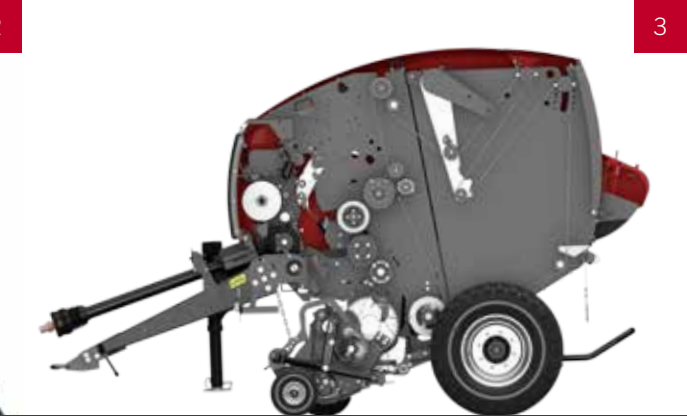
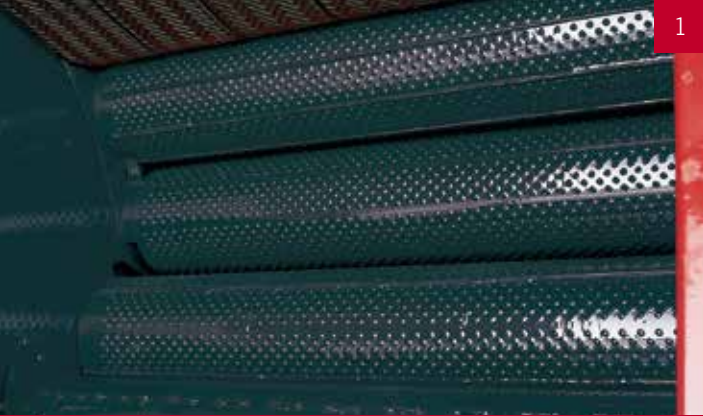
Designed as an integral part of the baling system, the rotor cutter will produce high density bales of nutritious silage. Up to 15 knives are hydraulically controlled from the tractor and individually spring loaded to prevent unwanted material causing knife damage.

## ADVANTAGES

- Double cam steering system
- Castering wheels available
- Roller windguard available on all models
- Standard 4-bar pickup or optional, heavy duty 5 bar pickup which is ideal for silage







# ROBUST, RELIABLE

Long lasting

Variable chamber balers are perfect for customers requiring flexible bale sizes to suit crop, storage and livestock requirements.

## PERFECTLY FORMED BALE CENTRES

Four individual rollers form part of the bale chamber design, creating a small chamber to start early rotation.

## BETTER BY DESIGN

Four high strength laced or endless belts produce well-formed high density bales, with superb weathering characteristics. Excellent belt surface grip rotates the bale as it forms, without slipping, to produce a tightly-packed bale with a moisture-resistant surface. Two of the lower tailgate rollers are adjustable for continued high performance of the belts.

## HYDRAULIC DENSITY CONTROL

Belt tension and core density are controlled by coil springs. As the core forms and the bale starts to grow, belt tension and density increases significantly. Belt tension arm position is controlled by a powerful hydraulic ram. For exceptional high density requirements a second hydraulic density cylinder can be added. An easy-to-adjust density control valve allows precision adjustment to suit crop conditions and bale density requirements. During operation a pressure indicator gauge is visible from the cab.

## EXCELLENT BALE ROTATION

Whether you're dealing with hard-to-handle dry material or heavy, wet grass, the redesigned chamber on RB455 and RB465 variable chamber round balers guarantees positive bale rotation for precise, even formation. Four wide belts ensure good grip of the bale and minimal crop losses.

1 Dimpled steel rolls to aid bale rotation.

2 Four endless belts assure a positive grip.

3 The combined action of the belts and forming rollers produces optimum bale shape and density.

## ADVANTAGES

- The new roller and belt design improves rotation control and keep the chamber clean
- Better grip on the bale to start rotation early on
- Consistent baling one bale after the other
- Bale density control from the cab



# TIGHTLY WRAPPED

Ready to store

- 1** Replace net and twine rolls easily, from ground level
- 2** Additional net storage
- 3** Dual twine/net wrapping configuration

## EASY TO OPERATE

The net or twine application cycles can be started either manually or automatically from the monitor, and can be easily viewed from the tractor.

## HIGH SPEED TWINE APPLICATION

Two telescopic twine arms are fed by up to six twine rolls, placing the twine evenly across the bale width, with the ability to wrap additional twine at the end of the bale for greater bale stability. The number of twine wraps is adjustable from the baler monitor.

## PERFECT OVER-EDGE WRAPPING

A fast and efficient net wrapping system positively places the net around the bale, covering it right to the edges. Number of wraps can be adjusted from the monitor. Depending on specification, up to two spare net rolls can be carried. Whether the crop is wet, wilted or dry, RB balers deliver long-lasting weather resistant bales time after time.

## TOTAL EFFICIENCY RIGHT UP TO EJECTION

The bale ejection system dispenses the bale with enough clearance to allow the tailgate to close without interrupting baling.

## EVERY PACKAGING OPTION

Choose between twine or net wrapping, depending on the bale packaging that best suits your farming. Or you can select a dual twine/net wrapping arrangement.

## TWINE, NET OR BOTH: THE CHOICE IS YOURS

MODELS	Twine only	Net only	Twine and net
RB 455 Overshot	•	•	•
RB 455 Feeder	•	•	•
RB 455 Rotor Cutter	-	•	•
RB 465 Overshot	•	•	•
RB 465 Feeder	•	•	•
RB 465 Rotor Cutter	-	•	•



CASE IH  
RB455





# MAXIMUM CONTROL

At your fingertips

- 1 Black and white monitor with backlit screen – suitable for cab and non-cab tractors
- 2 Case IH AFS Pro 300 ISOBUS terminal providing full interactive control

Whether using the standard baler performance monitor or the Case IH AFS Pro 300 touchscreen terminal, standardized software and an intuitive operator interface put you in control. You can make adjustments on the move, while a self-diagnostic alarm system keeps you fully informed of any issues.

## INFORMED AND IN COMMAND

With the standard control terminal, everything you need to understand and fine tune the performance of your baler is easy to see and simple to operate, with an intuitive interface that means even new drivers can quickly become master operators. The black-and-white screen is visible whatever the light levels, and the keypad is logically laid-out, providing access to essential set-up/operating data including bale production per nominated period (per day/field etc), number of bales chopped/unchopped, number wrapped with net or twine, and info for any service issues. Once the baler is set up, there's no need to change any settings, even if the machine and terminal are swapped to a different tractor.

## AUTOMATIC TWINE/NETWRAP CONTROL

The standard terminal is pre-programmed with four settings, selectable according to crop type and condition, with a fifth programmable setting available to suit individual preferences. By using the 'wrap' key a precise amount of netting can be applied to individual bales, according to the operator's wishes.

## SMART SOLUTION

As an alternative to the standard black and white control terminal, RB455 and RB465 round balers can be controlled via ISOBUS using a Case IH AFS Pro 300 terminal, available on higher-hp Case IH tractors. The AFS Pro screen can be set to display the information most important to you, and can be portioned into up to six screen areas to display multiple data. Read on to discover how the AFS Pro 300 can also be used for full ISOBUS 3 operation of your implement; the baler can also work with AFS 700 if your Maxxum or Puma is equipped with the ISOBUS 3 version.



CASE IH

4550

CASE IH

145



# THE PINNACLE OF CONTROL

Maximum efficiency.

## CONTROL THROUGH ISOBUS 3

With a Case IH AFS Pro 300 control terminal and a tractor equipped with an ISOBUS 11783 socket, you have the ultimate in tractor and implement connectivity and productivity.

## CONNECTING YOU AND YOUR MACHINE

Once the ISO 11783 cable is connected via its socket from the baler into the rear of the tractor, the AFS Pro 300 terminal automatically identifies the machine the tractor is connected to. It then allows you to control all major machine functions on the screen. Touch and tap for the ultimate in ease of operation, configure your screen exactly as you like it, and keep an eye on all key data, all in the one place.

And with the latest generation ISOBUS 3 technology, not only can the tractor monitor and control the implement, but the implement also feeds information back to the tractor and can alter its behaviour accordingly, helping to further boost

efficiency. For example, hit a heavy patch of the swath, and the baler will slow down the tractor to maintain pto speed, while in a lighter part it can gradually raise the forward speed to maintain intake. Not only do you get greater efficiency from your machine, but you or your operator benefit too, from easier operation that means you barely have to move in your seat. And, of course, you can operate any other ISOBUS-compatible machine through the same monitor.

## DEALER-INSTALLED ACCESSORIES

Among the dealer-installed accessories available for Case IH R455 and RB465 variable chamber round balers is a remote camera kit, providing operators with a high level of safety, as well as the ability to visually monitor the condition of bales that have left the chamber. Coupled with the machine functions visible on the Case IH AFS Pro 300 screen, the result is an easier, less tiring and more productive day for the driver.

## ADVANTAGES

- Fingertip control
- Greater precision
- Less fatigue
- Everything in one place
- Can include camera display
- Operate other ISOBUS machines



## EASY SERVICE

More time in the field

Case IH RB 455 and 465 variable chamber round balers are fitted with wide flotation tyres as standard equipment, ensuring they leave as little impact as possible on the land, regardless of the conditions. A compact and easy-to-manoeuve design means that headland turns leave barely a mark, while negotiating gateways is easy. For maximum road safety, braking options include hydraulic and air systems.

### **HOURS OF TROUBLE FREE OPERATION.**

Strong reliable shaft and chain drive systems extend the working life of the baler, with the main drive and rollers protected by slip clutches. An automatic lubrication system is fitted to ensure that the main drive chains are continuously

oiled. Access to the twine cabinet and netting roll is excellent and all major components can be easily reached via wide-opening panels that lift upwards.

A number of dealer-installed accessories are available to ensure the specification of your baler exactly meets your requirements. These include a rotor clutch kit, pick-up cut-out clutch kit and Thirty Plus additive applicator equipment.

And it goes without saying that you can depend on your Case IH dealer to back your baler with parts and service support around the clock.

### **ADVANTAGES**

- All maintenance can be performed from ground level
- Automatic lubrication
- Centralized greasing
- Preservative applicator available





The Case IH **SERVICETEAM**, a strong dealer network backed up by local Case IH market teams, industry leading Case IH supporting tools, modern training methods, best in class spare parts support and logistics performance providing Case IH customers with an excellent all-encompassing after-sales service, keeping customers farming!

TECHNICAL SUPPORT | SERVICE | PARTS | MAXSERVICE | SERVICEFINANCE

# SERVICETEAM

We'll keep you farming.

## **GENUINEPARTS** WE KEEP YOUR EQUIPMENT RUNNING.

Your local Case IH dealer and our dedicated 24/7 parts call centre technicians and their logistic colleagues are all part of the Case IH ServiceTeam network. They're highly trained to give you expert advice and solve problems, ensuring the correct, genuine Case IH parts are located and dispatched right away, reaching you next day or sooner to keep your machine in top condition. This means your machine's downtime is kept to a minimum so we can keep you farming.

## **MAXSERVICE** AROUND THE CLOCK. AROUND THE COUNTRY.

When you're working around the clock, MaxService ensures you're never alone. It's a dedicated helpline that connects you to the Case IH ServiceTeam 24/7. Call technicians at your local dealer are ready to assist with technical advice, software solutions and genuine parts ordering. They can even diagnose problems remotely, using EST/DATAR, to get you going again, or alert a service technician to bring a part to the field. At peak season, we can keep you farming with breakdown assistance.

**SAFEGUARD** **SAFEGUARD** **SAFEGUARD**  
GOLD SILVER BRONZE

## **SAFEGUARD GOLD, SILVER OR BRONZE, IS AN EXTENDED WARRANTY SERVICE PACKAGE.**

Specifically tailored around you and your machinery, it can include maintenance contracts, servicing, telematics, insurance and Case IH finance packages. Most importantly, it provides peace of mind, mechanical coverage and makes the cost of ownership clear and easy to manage. All the back-up you need, so we can keep you farming.

**CNH**  
INDUSTRIAL CAPITAL

## **AN OPTIMAL FINANCING SOLUTION FOR EVERY INVESTMENT.**

CNH Industrial Capital is the financing company for Case IH. Our employees are financial experts and have many years of experience in agriculture. We do not only know about Case IH products and the market, we also understand the individual requirements of your operations. Therefore we are always able to offer you a financial solution for your new investments that is tailored specifically to your operational requirements and respective machine usage in the form of loans, rent or leasing. Our most important goal is improving the profitability of your investments! Therefore you can combine every CNH Industrial Capital Financing with Capital accident and breakdown cover, as machine breakdown or repair insurance, in order to exclude risks to your investment and ensure greater planning reliability.

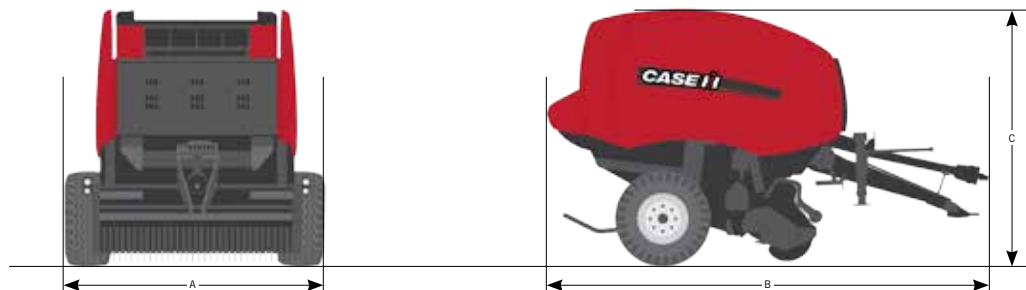
MODELS	RB455 OVERSHOT	RB455 FEEDER	RB455 ROTOR CUTTER	RB465 OVERSHOT	RB465 FEEDER	RB465 ROTOR CUTTER
<b>BALE DIMENSIONS</b>						
Bale diameter (cm)		90 to 150			90 to 180	
Width (cm)		120			120	
<b>TRACTOR REQUIREMENTS</b>						
Minimum PTO power (kW/hp)	45 / 60	63 / 85	75 / 100	52 / 70	67 / 90	70 / 105
Overall protection				Cut out clutch in pto		
PTO speed				540 / 1,000		
<b>PICKUP</b>						
Width, effective (DIN 11220) (m)	2.05	2.05 or 2.35		2.05	2.05 or 2.35	
Number of tine bars	4	4 / 5	4 / 5	4	4 / 5	4 / 5
Windguard type	Tines or roller	Plate or roller		Tines or roller	Plate or roller	
Pickup wheels	Fixed	Fixed (removeable for transport) or Caster type (fold into transport position)		Fixed	Fixed (removeable for transport) or Caster type (fold into transport position)	
Overload protection				shearbolt		
<b>FEEDER</b>						
Pickup				double cam steering system		
Feeding system	single	single / dual augers	single / dual augers	single	single / dual augers	single / dual augers
<b>CROP CUTTER</b>						
Type	-	-	o	-	-	o
Max number of knives	-	-	15 retractable	-	-	15 retractable
Knife protection	-	-	spring reset	-	-	spring reset
Overload protection, Option	-	drop floor, hydr operated		-	drop floor, hydr operated	
Standard				manual rotor reversing		
<b>BALE FORMATION</b>						
Type				Premium laced / endless belt and rollers and 3 pivoting rollers		
Number of belts				4 belts		
Density control				Adjustable from the cab		
<b>WRAPPING SYSTEM</b>						
Combinations available				net & twine		
Max wrapping material	net only, twine only	net only, twine only	net only	net only, twine only	net only, twine only	net only
				Net rolls: 3 (without twine wrapping) and 2 with twine wrapping Twine rolls: 6 active rolls with / without net wrapping combination		
<b>MONITOR</b>						
Baler control system				Black/white monitor or ISOBUS 300 system with / without colour monitor		
<b>TYRES</b>						
Available sizes				380/55-17; 480/45-17; 500/55-20		
<b>BALER DIMENSIONS<sup>1</sup></b>						
A: Width (mm) 2.05 / 2.35	2520 / -	2520 / 2550	2520 / 2550	2520 / 2550	2520 / 2550	2520 / 2550
B: Total length (mm)	4727	4727	4727	5067	5067	5067
C: Total height (mm)	2520 / 2550	2787	2787	3044	3044	3044
Weight (kg) <sup>2</sup>	3080	3401	3561	3300	3615	3775
<b>OTHER EQUIPMENT</b>						
Top / low hitch	•	•	•	•	•	•
Automatic chain lubrication	•	•	•	•	•	•
Bale ramp	•	•	•	•	•	•
Pneumatic brakes*	o	o	o	o	o	o
Hydraulic brakes*	o	o	o	o	o	o
Dual density system	-	o	o	-	o	o

● Standard Equipment  
○ Optional at extra costs

- Not available

<sup>1</sup> With standard tyres

<sup>2</sup> Depending on configuration




CASE IH RB 455 - 465 brochure – 07/2016 – Cod. 16C3002INB  
Printed in AUSTRIA

WWW.CASEIH.COM

**CNH Industrial Österreich GmbH**  
**Steyrer Straße 32, A-4300 St. Valentin – Austria**

Free phone: 00 800 22 73 44 00

 Safety never hurts! Always read the Operator's Manual before working with any equipment. Inspect equipment before using it, and be sure it is operating properly. Follow the product safety signs, and use any safety features provided. This literature has been published for worldwide circulation. The standard and optional equipment and the availability of individual models may vary from one country to the next. Case IH reserves the right to undertake modifications without prior notice to the design and technical equipment at all times without this resulting in any obligation whatsoever to make such modifications to units already sold. Whilst every effort is made to ensure that the specifications, descriptions and illustrations in this brochure are correct at the time of going to press, these are also subject to change without prior notice. Illustrations may show optional equipment or may not show all standard equipment. Case IH recommends **AKCELA** lubricants.



**CASE IH**  
AGRICULTURE  
FOR THOSE WHO DEMAND MORE